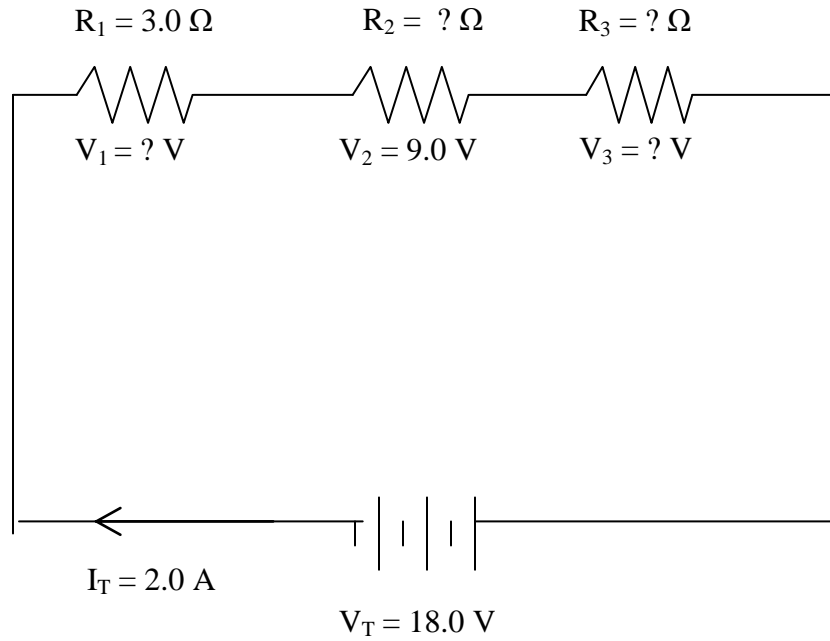
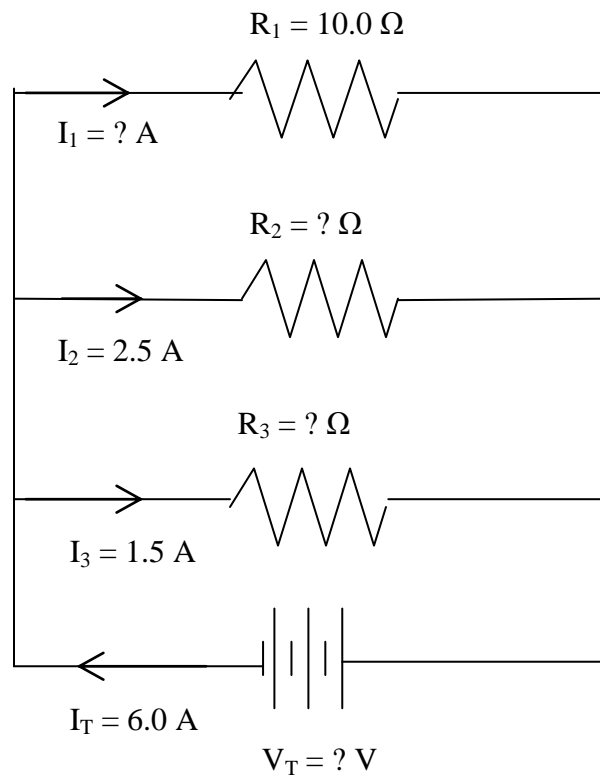


Calculate the missing information using your knowledge of series and parallel circuits.

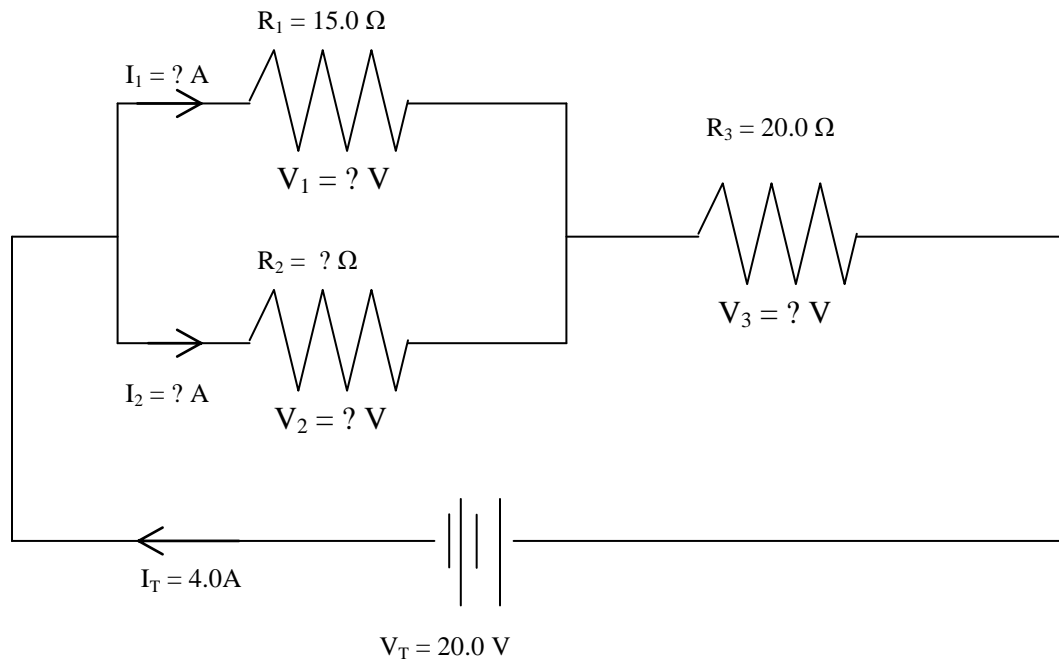
1.



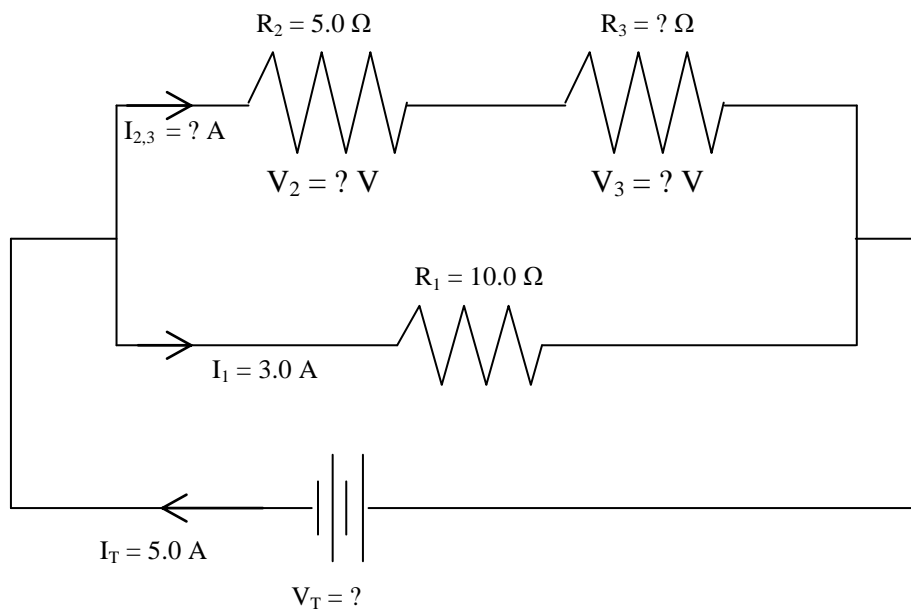
2.



3.



4.



**V-I-R Table for Schematic #1**

Resistor #	V (V)	I (A)	R ( $\Omega$ )
1			
2			
3			
Totals	$V_T =$	$I_T =$	$R_{eq} =$

**V-I-R Table for Schematic #2**

Resistor #	V (V)	I (A)	R ( $\Omega$ )
1			
2			
3			
Totals	$V_T =$	$I_T =$	$R_{eq} =$

**V-I-R Table for Schematic #3**

Resistor #	V (V)	I (A)	R ( $\Omega$ )
1			
2			
3			
Totals	$V_T =$	$I_T =$	$R_{eq} =$

**V-I-R Table for Schematic #4**

Resistor #	V (V)	I (A)	R ( $\Omega$ )
1			
2			
3			
Totals	$V_T =$	$I_T =$	$R_{eq} =$