

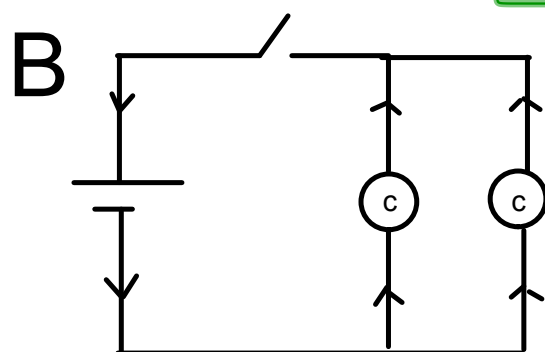
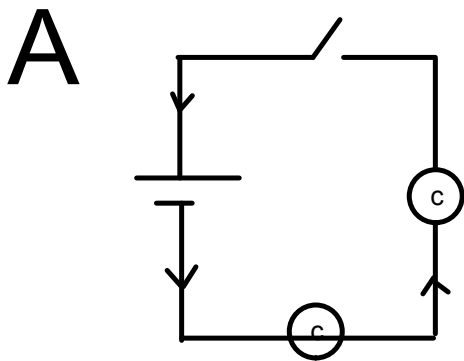
May 24, 2011

- 1) Review Series/Parallel Circuits/Resistance
- 2) Series/Parallel Worksheet

Warm- Up

Which circuit A or B is in parallel? **B**

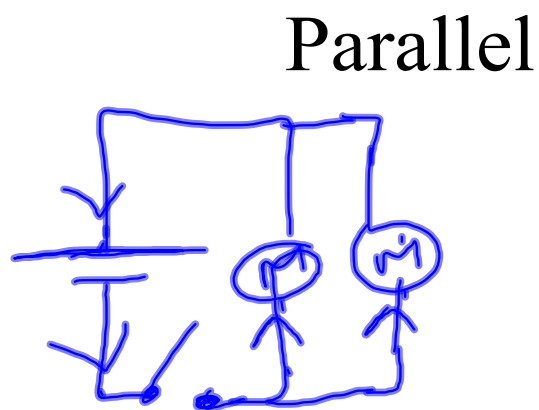
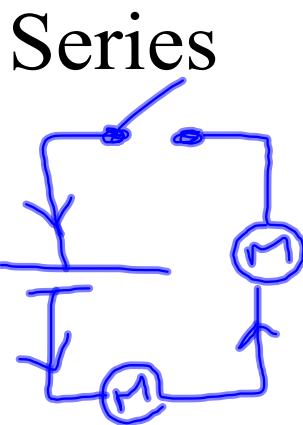
Which circuit provides the MOST resistance **A** or B



How to draw in series/parallel

Example:

Draw a battery, 2 motors and switch in series and parallel.



Which type of circuit provides the least resistance?

Series/Parallel Circuit Assignment

Attachments

Chp 9 senteo quiz.notebook