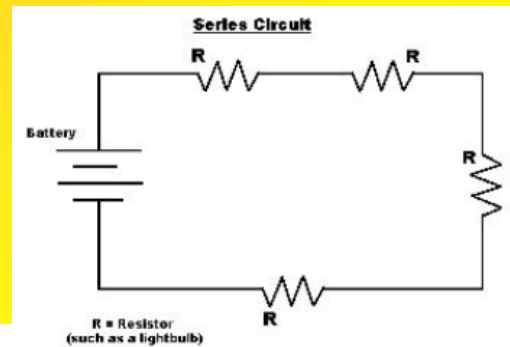
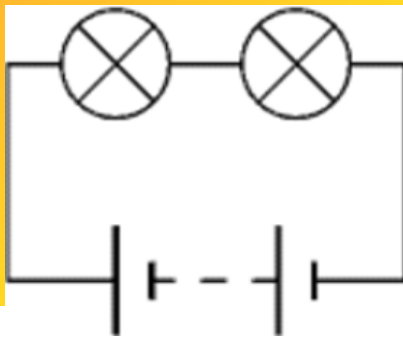


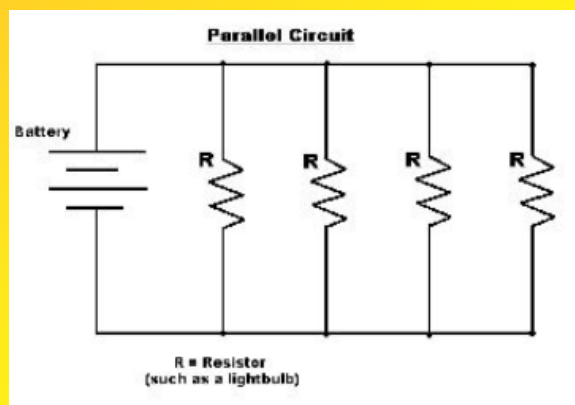
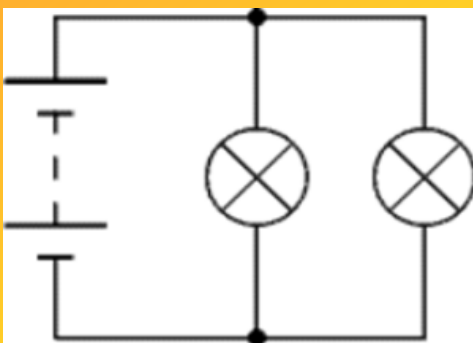
The Series Circuit

- This term applies to any electric circuit in which the parts of the circuit are wired to one another in a single path.
- The electricity has only one path to follow.
- Example: the old Christmas lights that when one light went out they all went out.



Parallel Circuits

- In a parallel circuit, current passes through a separate circuit to each part. Each separate circuit is called a branch circuit.
- Ex. when one bulb goes out in a string of lights the others are not effected.

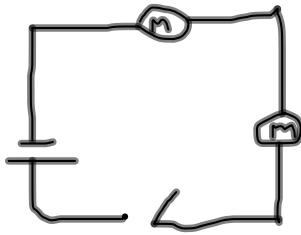


How to draw in series/parallel

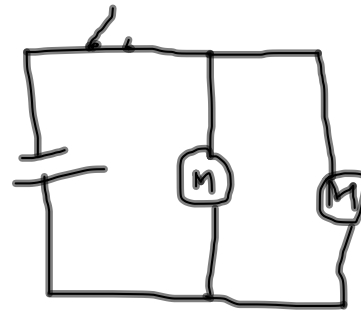
Example:

Draw a battery, 2 motors and switch in series and parallel.

Series



Parallel



Attachments

Chp 9 senteo quiz.notebook