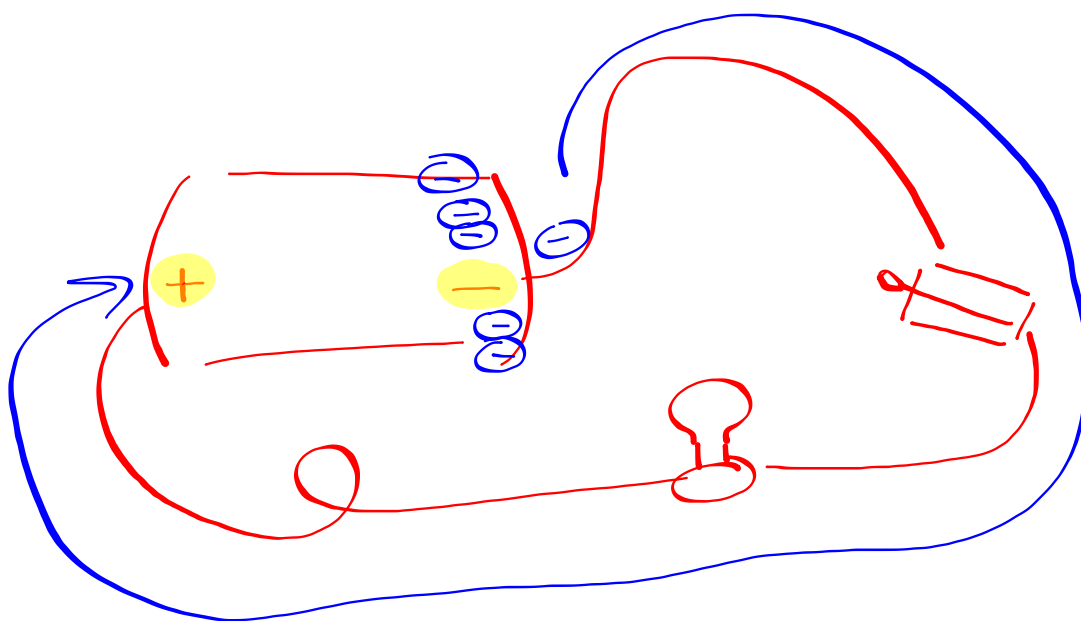
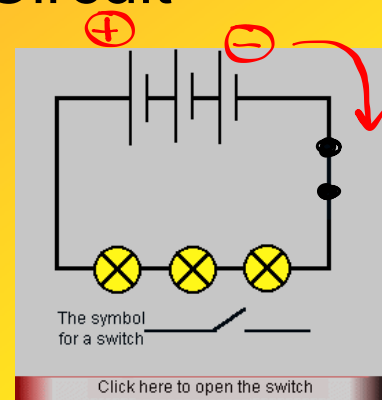


Homework

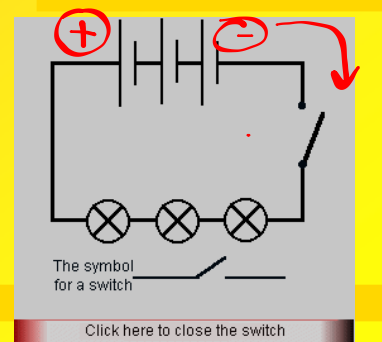


Control Devices Closed or Open Circuit

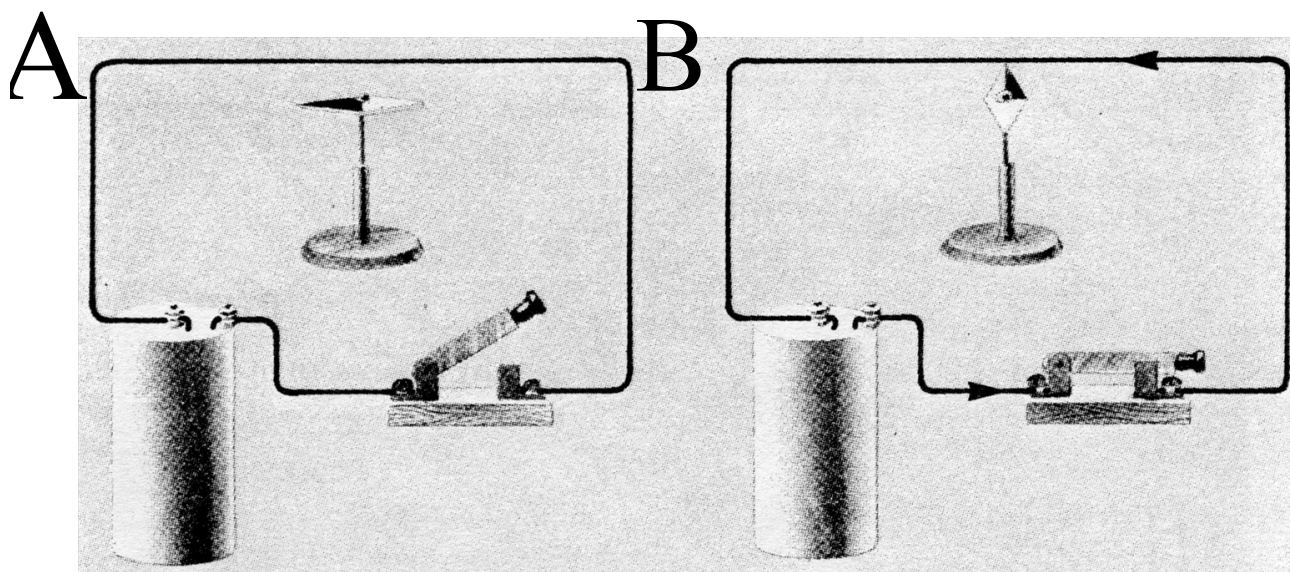
- A closed circuit is one in which electricity is flowing. Ex. “on”
In a closed circuit, electric current flows in a continuous loop from the negative to the positive terminal of the cell. Switch is closed.



- An open circuit is one in which there is a break in the flow of electricity. Ex. “off”. Switch is open.

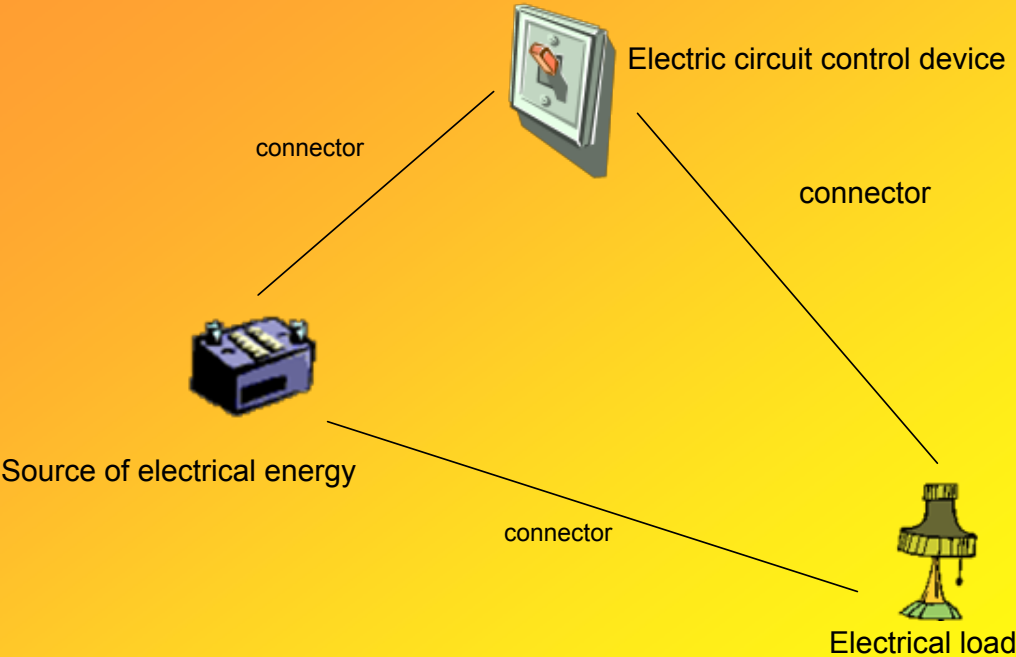


Circuit

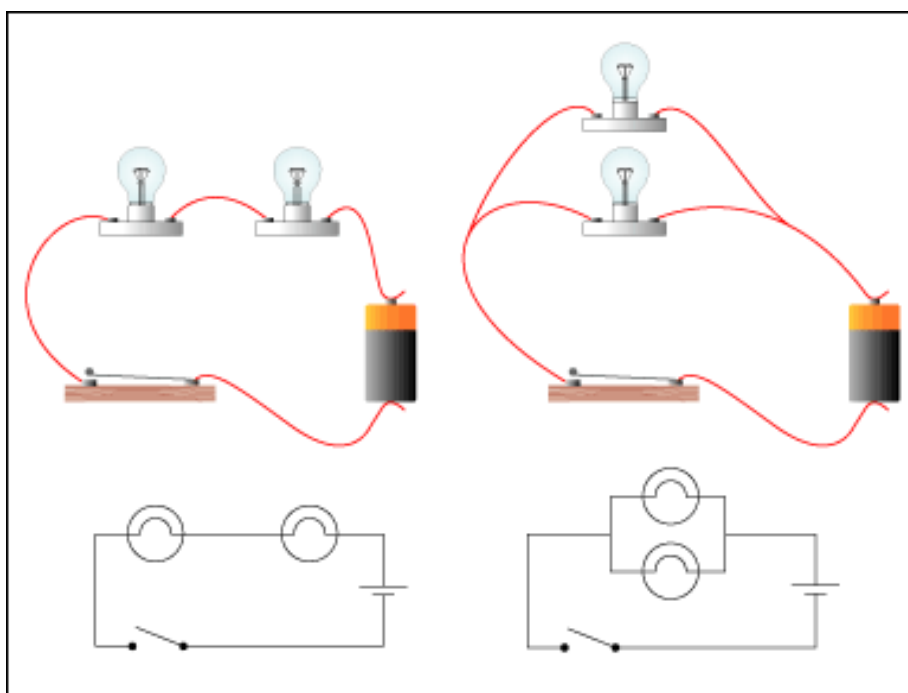


Which circuit is open?
Which circuit is closed?
How can you tell?

A Simple Electric Circuit

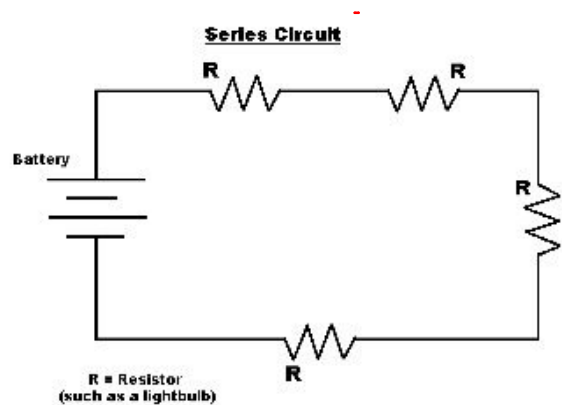
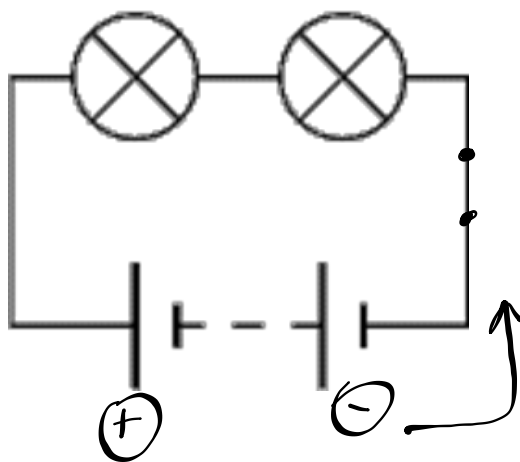


Series and Parallel Circuits



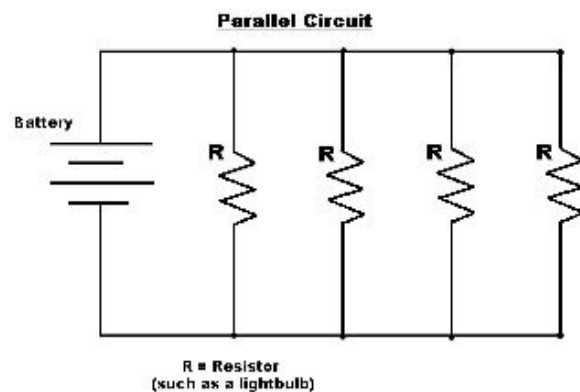
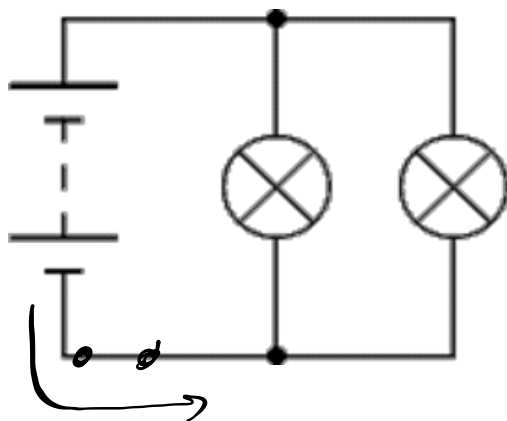
The Series Circuit

- This term applies to any electric circuit in which the parts of the circuit are wired to one another in a single path.
- The electricity has only one path to follow.
- Example: the old Christmas lights that when one light went out they all went out.



Parallel Circuits

- In a parallel circuit, current passes through a separate circuit to each part. Each separate circuit is called a branch circuit.
- Ex. when one bulb goes out in a string of lights the others are not effected.



Worksheet

Attachments

Chp 9 senteo quiz.notebook