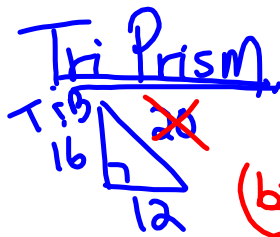


Rec Prism
 $T \& B (12 \times 21) \times 2 = 504$
 $F \& B (12 \times 11) \times 2 = 264$
 $Sides (21 \times 11) \times 2 = 462$
 $= 1230cm^2$

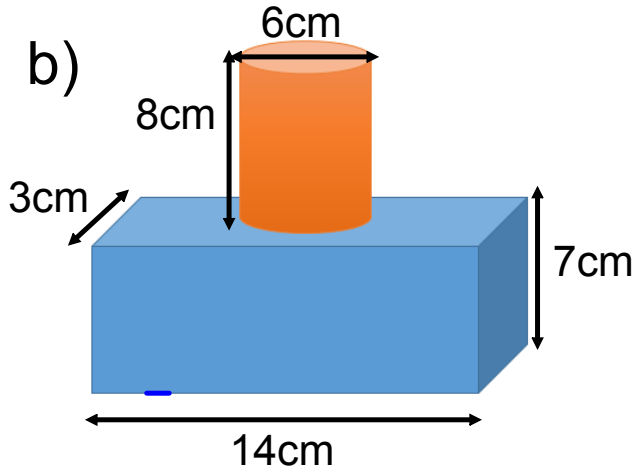


$(\frac{b \times h}{2}) \times 2 = 192cm + 1230$
 $(\frac{12 \times 16}{2}) \times 2 = 192$
 $+ 336$
 252
 420
 $1200cm^2$

$= 192cm + 1230$
 $- 504 (overlap)$
 $1920cm^2$

Overlap
 $(12 \times 21) \times 2 = 504$

21 $\boxed{336}$
 21 $\boxed{252}$
 21 $\boxed{420}$
 20



$$\begin{aligned} T \&B (14 \times 3) \times 2 &= 84 \\ F \&B (14 \times 7) \times 2 &= 196 \\ Sides (3 \times 7) \times 2 &= \underline{42} \\ &= 322 \end{aligned}$$

Cylinder

$$\begin{aligned} &2\pi r^2 + 2\pi r h \\ &2(3.14)(3)^2 + 2(3.14)(3)(8) \\ &2(3.14)(9) + 150.72 \\ &56.52 + 150.72 \\ &= 207.24 \text{ cm}^2 \end{aligned}$$

$$\begin{aligned} &\underline{\text{Overlap}} \\ &2\pi r^2 \\ &2(3.14)(3)^2 \\ &2(3.14)(9) \\ &= 56.52 \end{aligned}$$

$$\begin{aligned} &\underline{\text{Total}} \\ &+ 322 \\ &207.24 \\ &- 56.52 \text{ (Overlap)} \\ &= 472.72 \text{ cm}^2 \end{aligned}$$

Py. 40
3