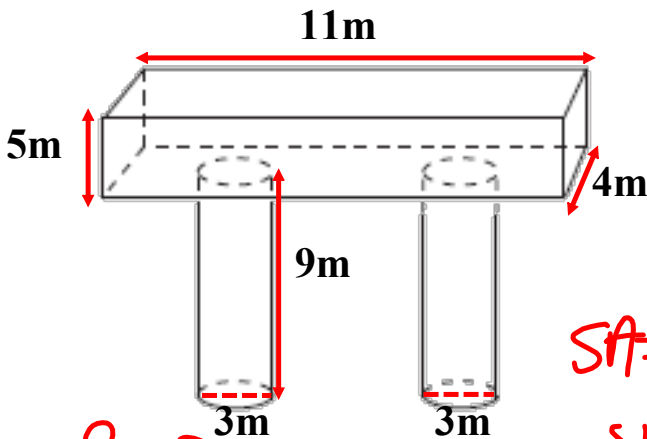


Don't forget to multiply by two when finding the overlap!!!



$$SA = 2\pi r^2 + 2\pi rh$$

$$SA = 2(3.14)(1.5)^2 + 2(3.14)(1.5)(9)$$

$$SA = 2(3.14)(2.25) + 84.78$$

$$SA = 14.13 + 84.78$$

Rec Prism

$$T \& B = (11 \times 4) = 44 \times 2 = 88 m^2$$

$$F \& B = (5 \times 11) \times 2 \quad 55 \times 2 = 110 m^2$$

$$Side = (4 \times 5) \times 2 \quad 20 \times 2 = 40 m^2$$

$$SA = 98.91$$

$$\times 2$$

$$= 197.82$$

$$238 m^2$$

Overlap

$$4 \times \pi r^2$$

$$4 \times 3.14 (1.5)^2$$

$$4 \times 3.14 (2.25)$$

$$= 28.26$$

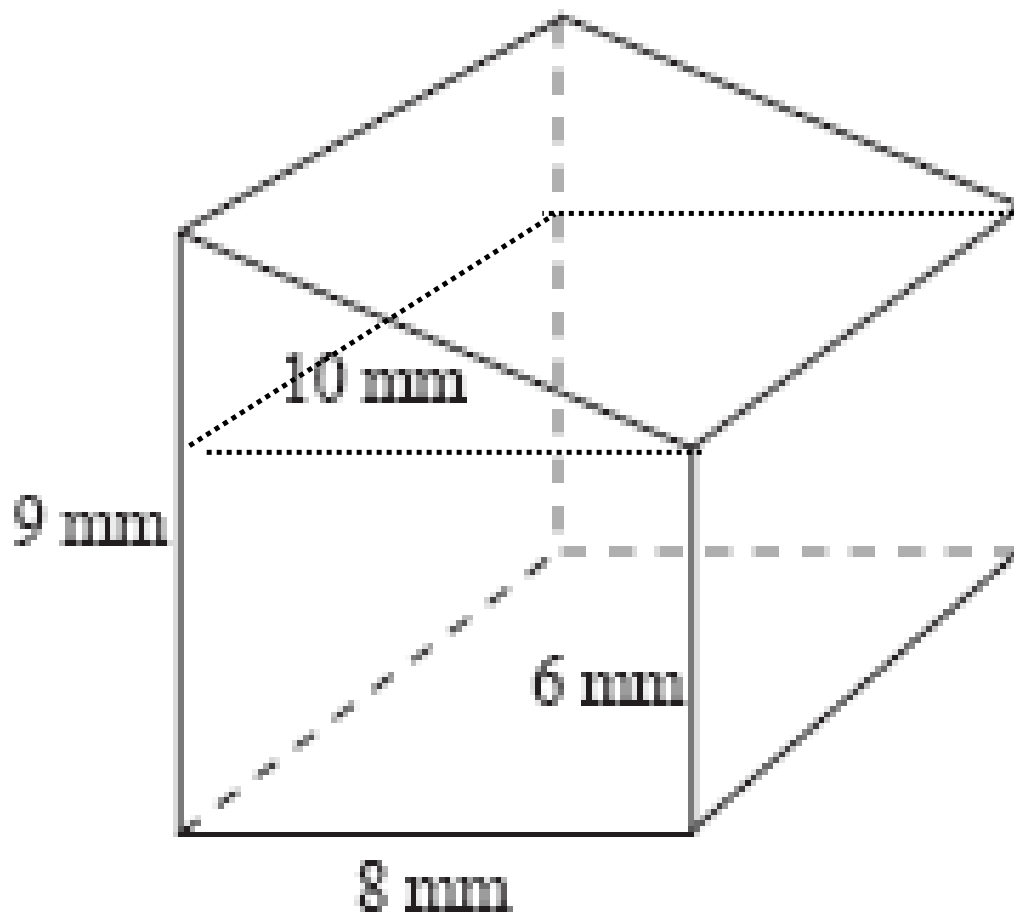
Total

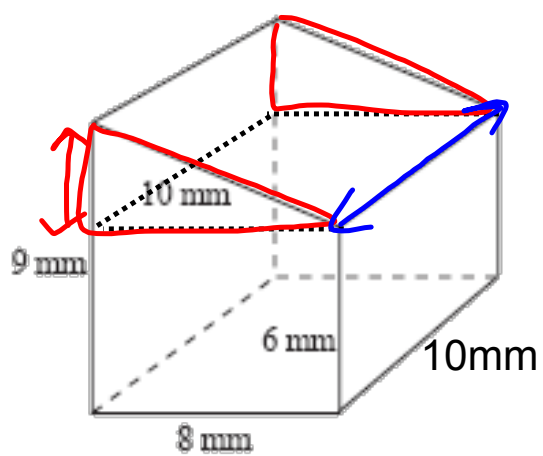
$$197.82$$

$$+ 238$$

$$= 28.26$$

$$= 407.56$$





Rec Prism

F & B $(6 \times 8) \times 2$
 $48 \times 2 = 96 \text{ mm}^2$

T & B $(8 \times 10) \times 2$
 $80 \times 2 = 160 \text{ mm}^2$

Sides $(10 \times 6) \times 2$
 $60 \times 2 = 120 \text{ mm}^2$

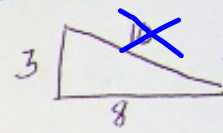
Overlap (Rec)

$(8 \times 10) \times 2$
 80×2
 $= 160$

Total

$$\begin{array}{r}
 376 \\
 + 234 \\
 - 160 \\
 \hline
 = 450 \text{ mm}^2
 \end{array}$$

Tri Prism

 $\times 2$ $\left(\frac{b \times h}{2}\right) \times 2$

$10 \mid \frac{30}{3}$ $\left(\frac{8 \times 3}{2}\right) \times 2$

$10 \mid \frac{80}{8}$ $= 24$

$10 \mid \frac{100}{10}$ $+ 36$
 $+ 80$
 $+ 100$
 $+ 24$

$= 234$

Pg. 41
7a